

LXSG-(15-50)

Multi Jet Dry Type Water Meter(Pulse Remote)

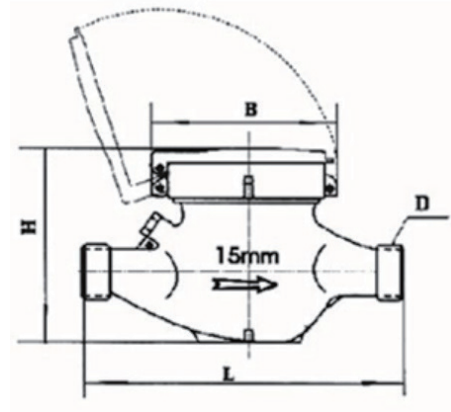
LXSG-(15-50)

Multi Jet Dry Type Water Meter(Pulse Remote) ▼

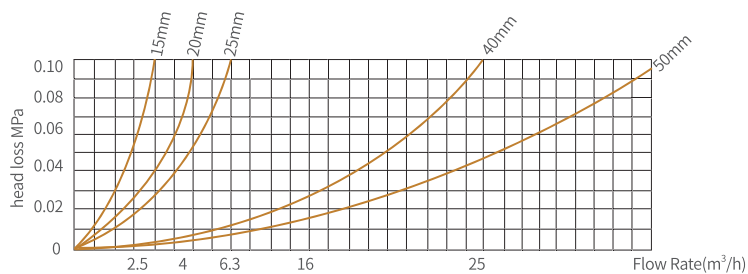
Multi jet , dry dial , vacuum sealed register , frost resistant , keeps clear reading for long time .Magnetic transmission .
The diameters of water meter 15to 50mm.Long durability and elevated precision guaranteed.

Feature

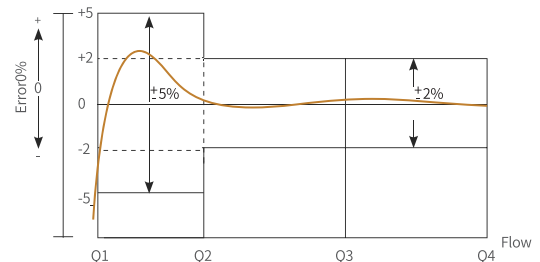
- Dry-dial , magnetic drive , protected against external magnetic tampering
- Vacuum sealed register ,frost resistant , keeps clear reading for long time
- Brass body , cast iron body or plastic body , **(optinal)**
- Internal or external adjusting device , **(optinal)**
- Pulse,**(optinal)**



Head Loss Curve



Error Curve



HYDRAULIC PERFORMANCE							
Size	mm	Dn15	Dn20	Dn25	Dn32	Dn40	Dn50
	inches	½"	¾"	1"	1¼"	1½"	2"
Metrologocal class		R(Q3/Q1) ≤ 100 Q2/Q1=1.6					
Q3	m³/h	2.5	4	6.3	10	16	25
TECHNICAL SPECIFICATIONS							
Maximum permissible error Between Q1and Q2(excluded)		±5%					
Maximum permissible error Between Q2(included)and Q4		±2% with water temperature ≤ 30°C ±3% with water temperature >30°C					
Temperature class		Cold water:0°C ~40°C Hot water:40°C ~90°C					
Pressure loss class		△ p63					
Nominal pressure	bar	10/16	10/16	10/16	10/16	10/16	10/16
Min reading	m³	0.0001	0.0001	0.0001	0.0001	0.001	0.001
Max reading	m³	99,999	99,999	99,999	99,999	99,999	99,999
Pulse options		10L	10L	10L	10L	10L	10L
DIMENSIONS							
L	mm	165/190	190/195	260/225	260/230	300/245	280/300
W	mm	99	99	104	104	125	125
H	mm	104	106	120	120	155	155
CONNECTING THERAD							
		G¾"B	G1"B	G1¼"B	G1 ½"B	G2"B	G2½"B