

LXSG-(15-50)

Multi Jet Dry Type Water Meter(LXSG)

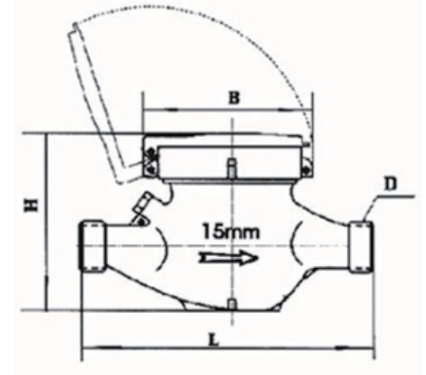
LXSG-(15-50)

Multi Jet Dry Type Water Meter(LXSG) ▼

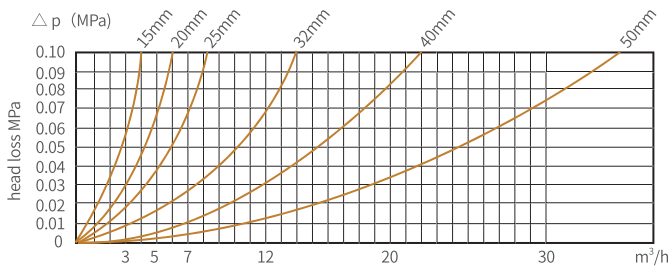
Multi jet , dry dial , vacuum sealed register , frost resistant , keeps clear reading for long time .Magnetic transmission .
The diameters of water meter 15to 50mm.Long durability and elevated precision guaranteed.

Feature

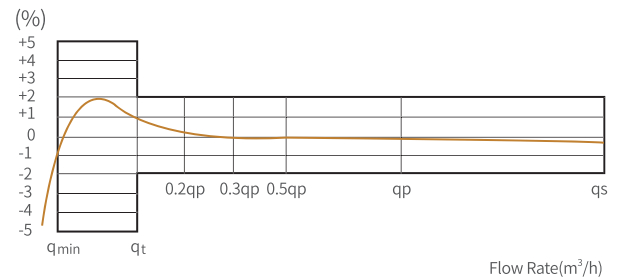
- Dry-dial , magnetic drive , protected against external magnetic tampering
- Vacuum sealed register ,frost resistant , keeps clear reading for long time
- Brass body , cast iron body or plastic body , **(optinal)**
- Internal or external adjusting device , **(optinal)**
- Pulse,**(optinal)**



Head Loss Curve



Error Curve



HYDRAULIC PERFORMANCE

Size	mm	Dn15	Dn20	Dn25	Dn32	Dn40	Dn50
	inches	½"	¾"	1"	1¼"	1½"	2"
Class		ISO4064(B)					
Qs	m ³ /h	3	5	7	12	20	30
Qp	m ³ /h	1.5	2.5	3.5	6	12	15
Qt	l/h	120	200	280	480	800	3000
Qmin	l/h	30	50	70	120	200	450

TECHNICAL SPECIFICATIONS

Maximum permissible error Between Q1and Q2(excluded)		±5%					
Maximum permissible error Between Q2(included)and Q4		±2% with water temperature ≤ 30°C ±3% with water temperature >30°C					
Temperature class		Cold water:0°C ~40°C Hot water:40°C ~90°C					
Nominal pressure	bar	10/16	10/16	10/16	10/16	10/16	10/16
Min reading	m ³	0.0001	0.0001	0.0001	0.0001	0.001	0.001
Max reading	m ³	9,999	9,999	9,999	9,999	99,999	99,999
Pulse options	l/imp.	1/10L	1/10L	1/10L	1/10L	10/100L	10/100L

DIMENSIONS

L	mm	165/190	190/195	260/225	260/230	300/245	280/300
W	mm	99	99	104	104	120	125
H	mm	104	106	120	120	155	155

CONNECTING THERAD

	G¾"B	G1"B	G1¼"B	G1 ½"B	G2"B	G2½"B
--	------	------	-------	--------	------	-------