



6

Single-Jet Dry Type  
Wheel Water Meter

# LXC-(15-40)

Single-Jet Dry Type Wheel Water Meter

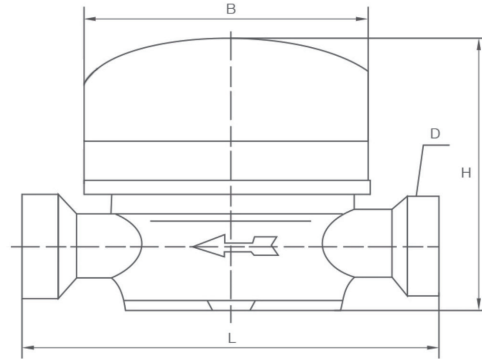
# LXC-(15-40)

Single-Jet Dry Type Wheel Water Meter ▼

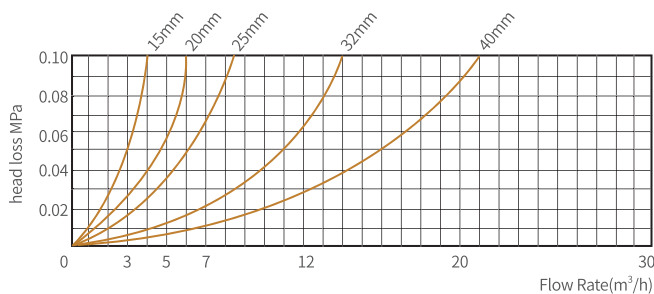
Single jet ,dry dial,direct reading .Produced in the versions for cold water (30°C )and hot water 90°C in the diameters 15 to 40mm.  
Long durability andelevated precision guaranteed.

## Feature

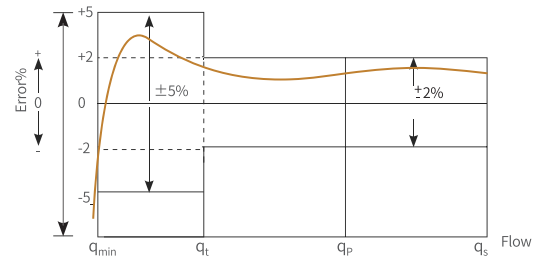
- Dry-dial ,magnetic drive,protected against external magnetic tampering
- Dry register and register with 5 or 8 number roller
- Vacuum-sealed register , frost resistant , keeps clear reading for long time
- Brass body or plastic body (optional)
- Brass body can be painted or nickel coated
- High accuracy
- **Pulse (optional)**



## Head Loss Curve



## Error Curve



### HYDRAULIC PERFORMANCE

Size	mm	15	20	25	32	40
	inches	½"	¾"	1"	1¼"	1½"
Metrological class		CLASS B				
Qs	m³/h	3	5	7	12	20
Qp	m³/h	1.5	2.5	3.5	6	10
Qt	l/h	120	200	280	480	800
Qmin	l/h	30	50	70	120	200

### TECHNICAL SPECIFICATIONS

Maximum permissible error Between Q1and Q2(excluded)		±5%				
Maximum permissible error Between Q2(included)and Q4		±2% with water temperature ≤ 30°C ±3% with water temperature >30°C				
Temperature class		Cold water:0°C ~40°C				
Pressure loss class		△ p63				
Nominal pressure	bar	10/16	10/16	10/16	10/16	10/16
Min reading	m³	0.0001	0.0001	0.0001	0.0001	0.0001
Max reading	m³	99,999	99,999	99,999	99,999	99,999

### DIMENSIONS

	mm	80/110	130	160	160	200
L	mm	80	80	77	101.5	101.5
W	mm	88	88	85	120	120
H	mm	0.3	0.4	0.91	1.41	1.65
Weight	kg					

### CONNECTING THERAD

	G¾"B	G1"B	G1¼"B	G1 ½"B	G2"B
--	------	------	-------	--------	------